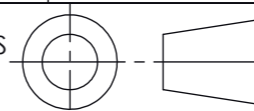


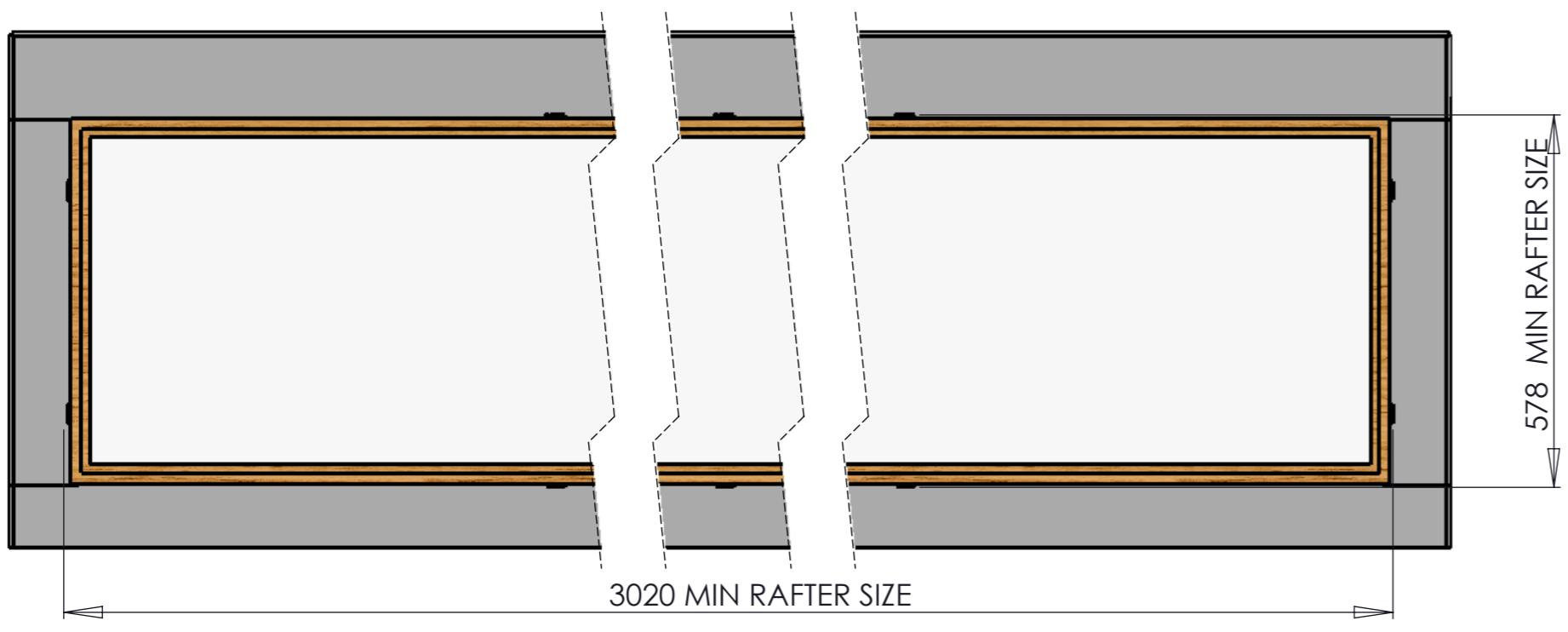
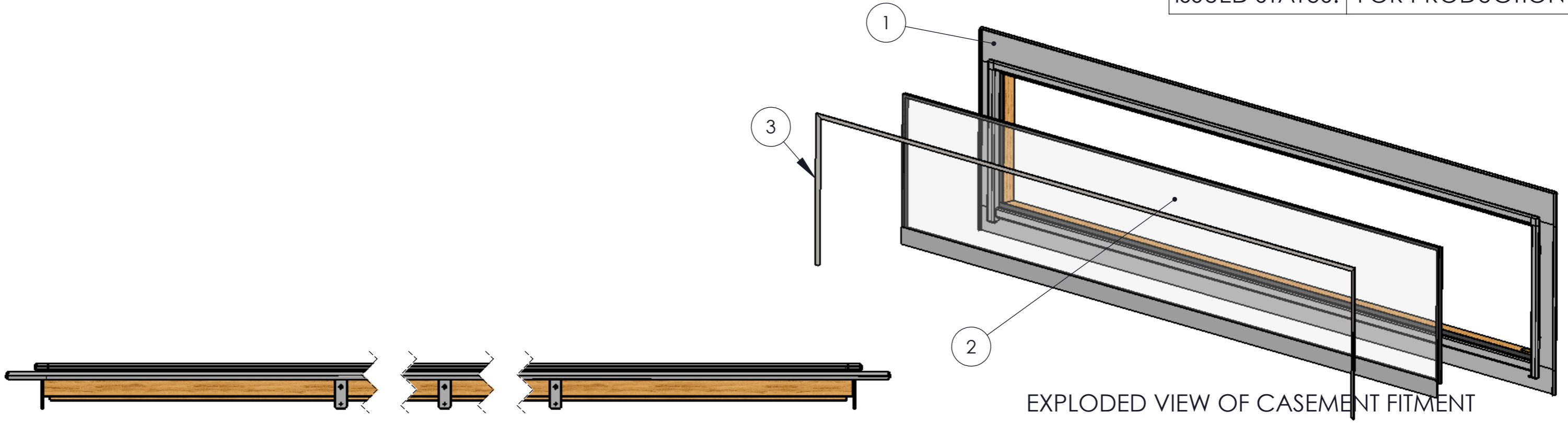
FINISH: WET SPRAY RAL 9005 BLACK
WEIGHT: 80.53Kg

	NAME	DATE	MATERIAL: 304 ST STEEL	Sheet Scale: 1:10
DRAWN	SHAUN COUCH	03/06/2010		SHEET 1 OF 2
APPROVED			PART REF: FIXED SHUT Rooflight Assembly	
LUMEN ROOFLIGHT		TEL. (08453) 308859	TITLE: BESPOKE FIXED SHUT ROOFLIGHT	
		FAX. (08453) 307260	REF. COX	
ITEM NO.	PART REF.	QTY.	SIZE: DRWG No.	Rev No.
1	FIXED SHUT Outer Frame GA	1	A3	1
2	Double Glazed Unit Assembly	1	TUS643GA	
3	Soudal Silicone Sealant Bead	1		

UNLESS OTHERWISE SPECIFIED
DIMENSIONS ARE IN MILLIMETERS
ANGLE $\pm 0.5^\circ$ / $0.0 \pm 0.25\text{mm}$ /
 $0.00 \pm 0.1\text{mm}$ / $0.000 \pm 0.05\text{mm}$



REF. COX
SIZE: DRWG No.
A3 TUS643GA



VIEW FROM ROOM SIDE OF WINDOW

	NAME	DATE	MATERIAL: 304 ST STEEL	Sheet Scale: 1:10
DRAWN	SHAUN COUCH	03/06/2010		SHEET 2 OF 2
APPROVED			PART REF: FIXED SHUT Rooflight Assembly	
LUMEN ROOFLIGHT		TEL. (08453) 308859	TITLE: BESPOKE FIXED SHUT ROOFLIGHT	
		FAX. (08453) 307260	REF. COX	
UNLESS OTHERWISE SPECIFIED DIMENSIONS ARE IN MILLIMETERS			SIZE: DRWG No.	Rev No.
ANGLE $\pm 0.5^\circ$ / $0.0 \pm 0.25\text{mm}$ / $0.00 \pm 0.1\text{mm}$ / $0.000 \pm 0.05\text{mm}$			A3 TUS643GA	1