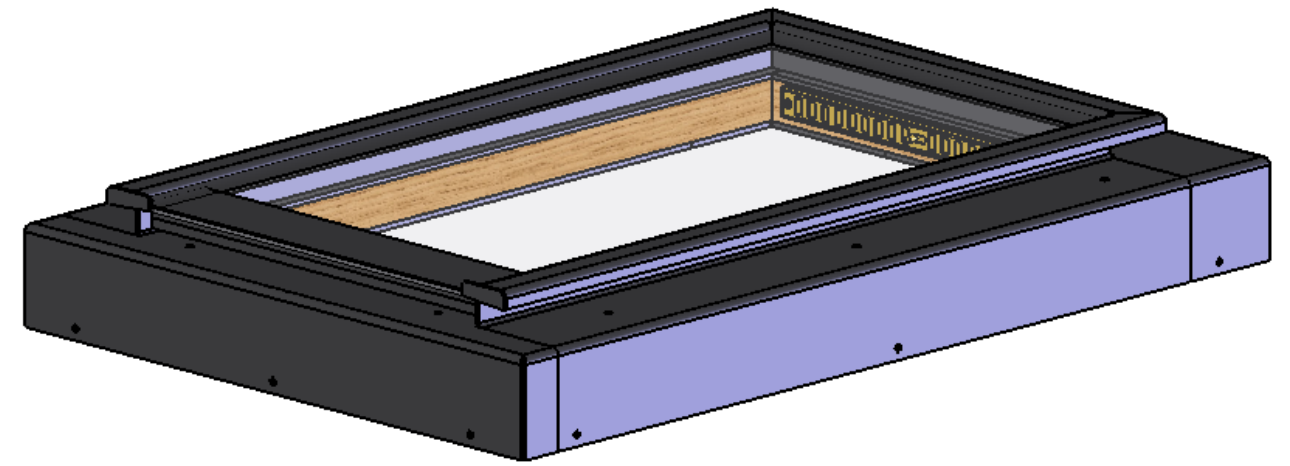
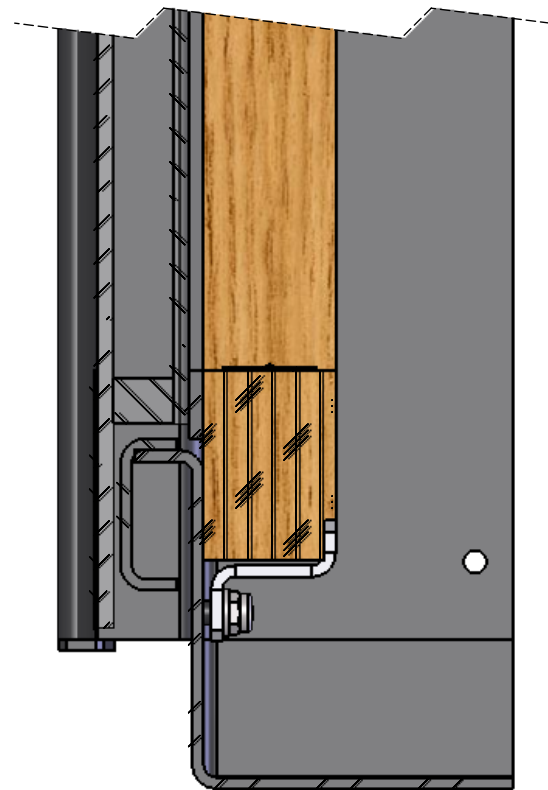
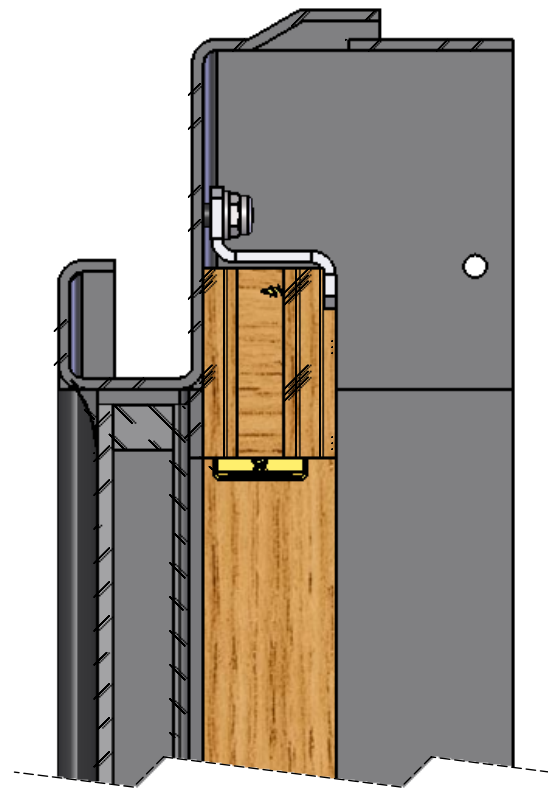


FINISH: WET SPRAY BLACK  
WEIGHT: 23.01Kg

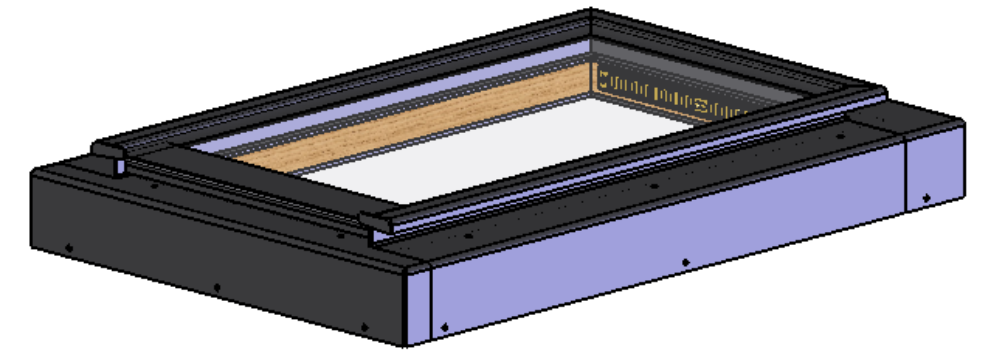
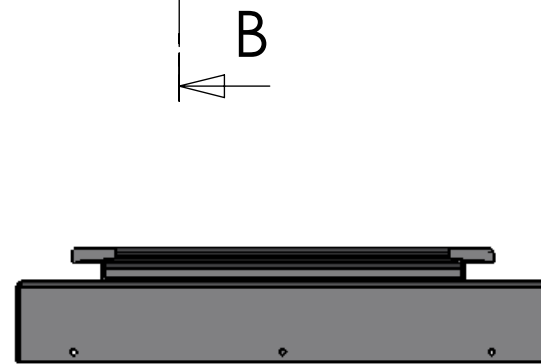
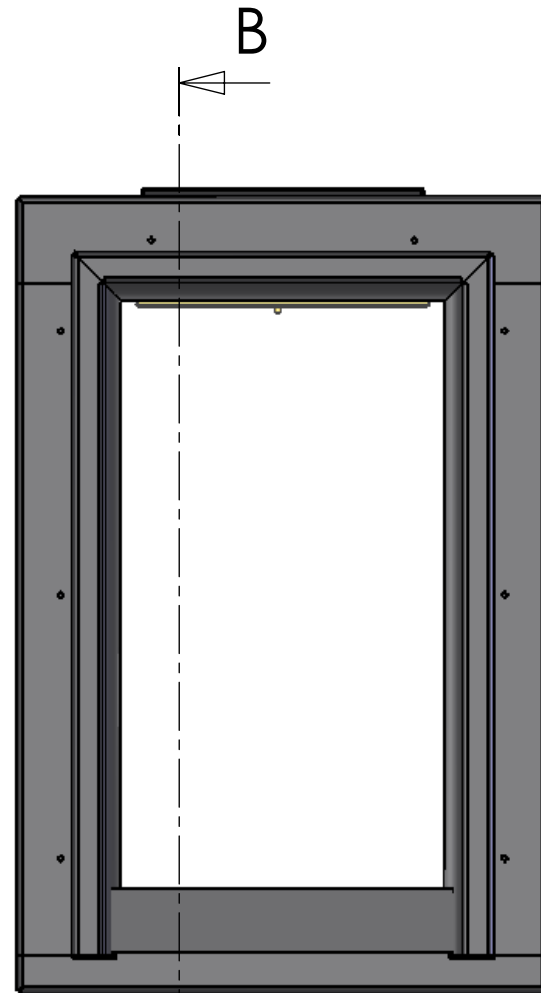


ITEM NO.	PART REF.	QTY.
1	FIXED SHUT Outer Frame Assembly	1
2	Liner Assembly	1
3	P235-B DSX 4mm TH x 18mm WD Glazing Tape	4
4	Double Glazed Unit Assembly	1
5	Soudal Silicone Sealent Bead	1
6	Z Clamp Fixing Kit	10
7	Narrow Trickle Vent - Closed	1
8	S4.2x20	2

	NAME	DATE	MATERIAL: _	Sheet Scale: 1:6
DRAWN	SHAUN COUCH	24/05/2010		SHEET 1 OF 3
APPROVED			PART REF: FIXED SHUT Rooflight Assembly	
<b>LUMEN ROOFLIGHT</b>		TEL. (08453) 308859 FAX. (08453) 307260	TITLE: BESPOKE 343X622 VIEWABLE AREA FLAT ROOFLIGHT GENERAL ASSEMBLY REF. BIGGIN CONSTRUCTION	
UNLESS OTHERWISE SPECIFIED DIMENSIONS ARE IN MILLIMETERS ANGLE ±0.5° / 0.0 ±0.25mm / 0.00±0.1mm /0.000 ±0.05mm			SIZE: DRWG No. <b>A3</b> TUS442GA	Rev No. <b>2</b>

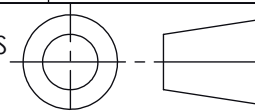


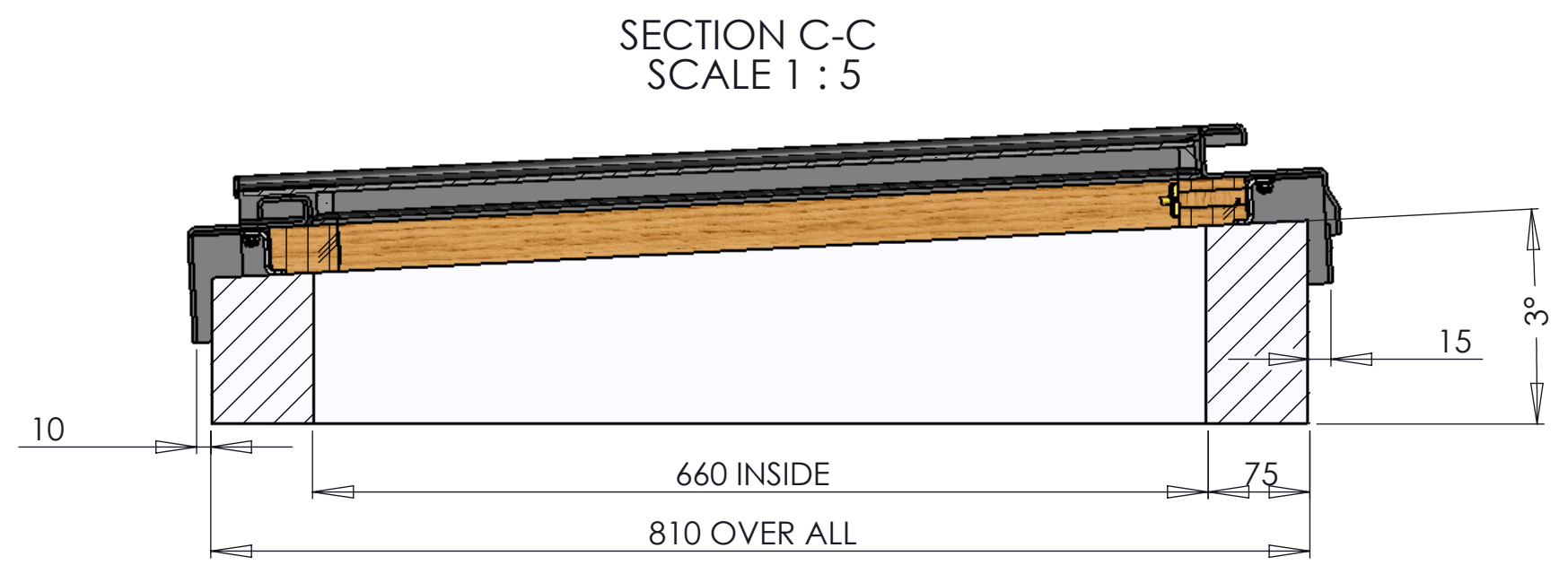
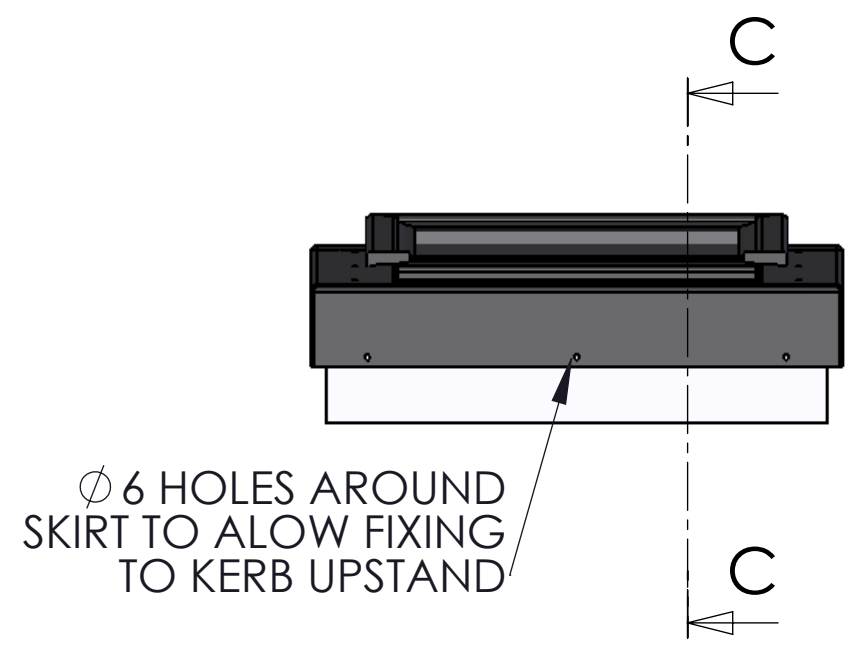
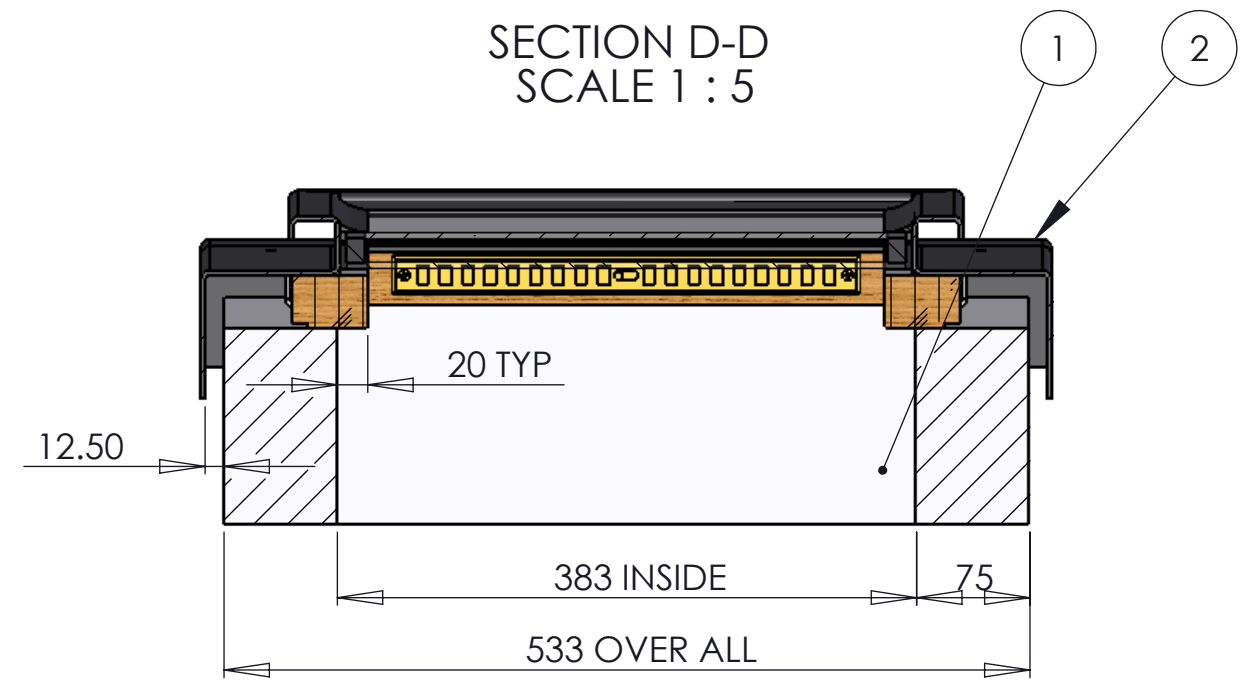
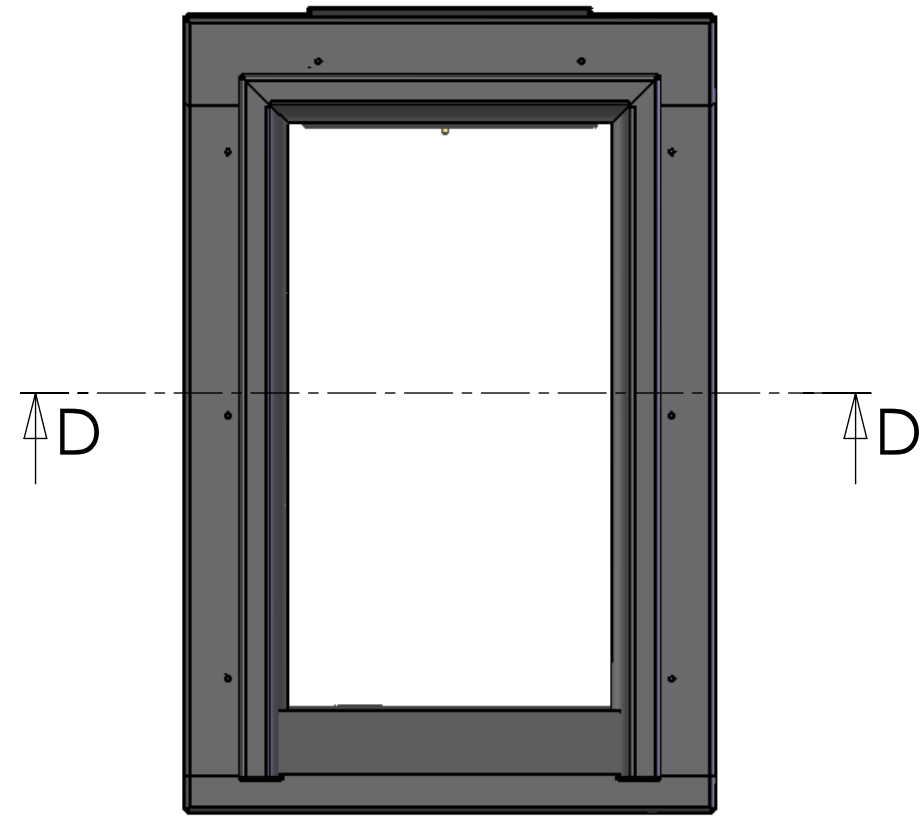
SECTION B-B  
SCALE 1 : 2



ROOFLIGHT SHOWN IN  
OPEN POSITION

	NAME	DATE	MATERIAL: _	Sheet Scale: 1:8
DRAWN	SHAUN COUCH	24/05/2010		SHEET 2 OF 3
APPROVED			PART REF: FIXED SHUT Rooflight Assembly	
<b>LUMEN ROOFLIGHT</b>		TEL. (08453) 308859 FAX. (08453) 307260	TITLE: BESPOKE 343X622 VIEWABLE AREA FLAT ROOFLIGHT SECTIONAL DETAIL REF. BIGGIN CONSTRUCTION	
UNLESS OTHERWISE SPECIFIED DIMENSIONS ARE IN MILLIMETERS ANGLE $\pm 0.5^\circ$ / $0.0 \pm 0.25\text{mm}$ / $0.00 \pm 0.1\text{mm}$ / $0.000 \pm 0.05\text{mm}$			SIZE: DRWG No. <b>A3</b> TUS442GA	Rev No. <b>2</b>





	NAME	DATE	MATERIAL: 304 ST STEEL	Sheet Scale: 1:8
DRAWN	SHAUN COUCH	24/05/2010		SHEET 3 OF 3
APPROVED			PART REF: FIXED SHUT FLAT ROOFLIGHT SITE INSTALL	
<b>LUMEN ROOFLIGHT</b>		TEL. (08453) 308859	TITLE: BESPOKE 343X622 VIEWABLE AREA FLAT ROOFLIGHT SITE INSTALLATION DETAILS	
		FAX. (08453) 307260	REF. BIGGIN CONSTRUCTION	
UNLESS OTHERWISE SPECIFIED DIMENSIONS ARE IN MILLIMETERS ANGLE ±0.5° / 0.0 ±0.25mm / 0.00±0.1mm / 0.000 ±0.05mm		SIZE: DRWG No.		Rev No.
		A3	TUS442GA	2

ITEM NO.	PART REF.	QTY.
1	KERB UPSTAND	1
2	FIXED SHUT Rooflight Assembly	1