

THE LUMEN ROOFLIGHT
 C1 OAKENDENE INDUSTRIAL ESTATE
 BOLNEY ROAD
 COWFOLD
 RH13 8AZ

TEL: 0845 050 8746
 FAX: 0845 345 0215
 Email info@lumenrooflight.co.uk
 www.lumenrooflight.co.uk

Title.

CLAY TILE CILL DETAIL WARM ROOF CONSTRUCTION

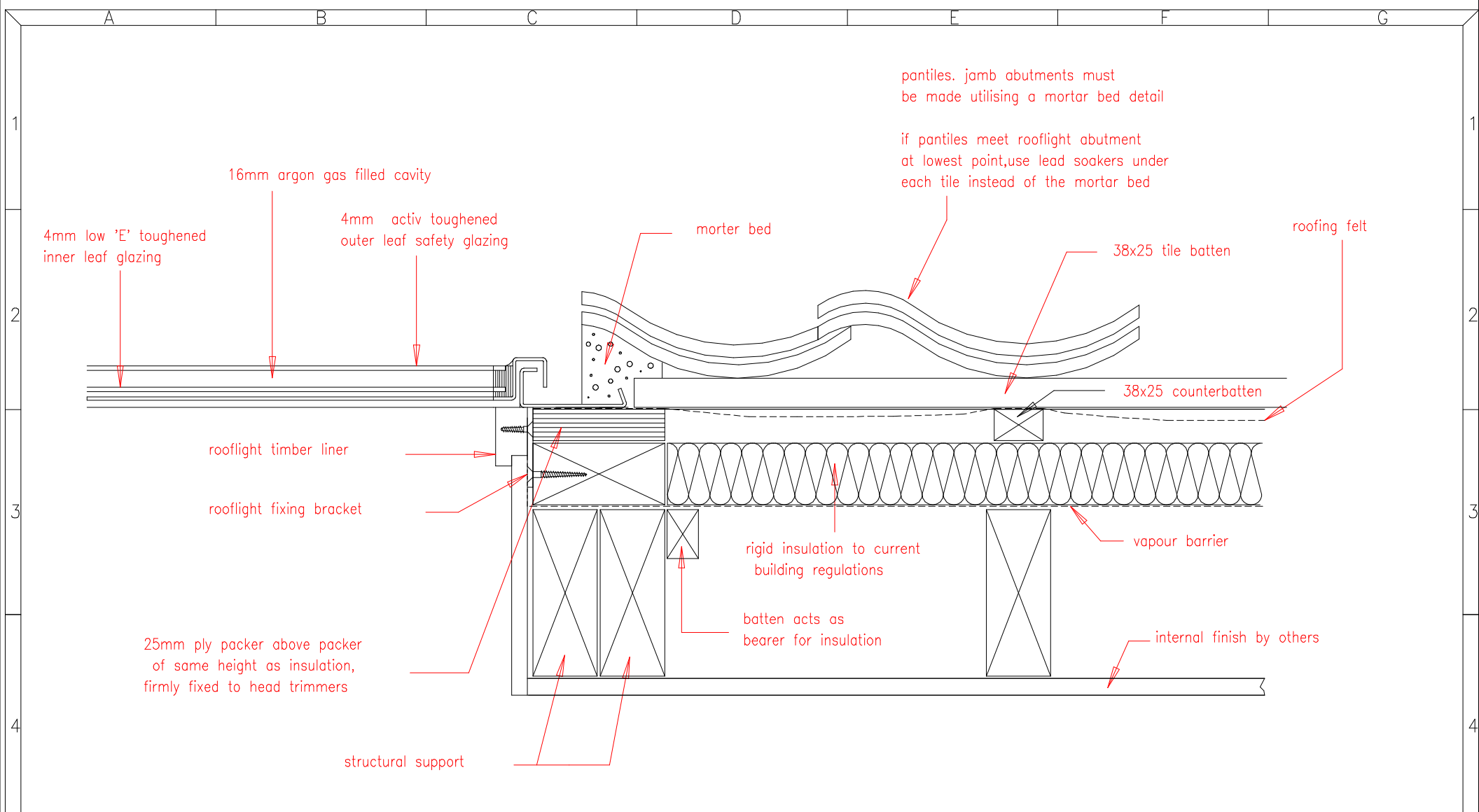
DESIGNERS ARE ADVISED TO CHECK THEIR OWN DETAILS FOR COMPLIANCE WITH ALL APPLICABLE LOCAL AUTHORITY BYLAWS, ACTS OF PARLIAMENT AND BRITISH STANDARD CODES OF PRACTICE.

Date: 07/07/07 Scale: NTS

Drawn By: CMT Design

Revision No. A

The information in this drawing is copyright of Tuscan Foundry Products



THE LUMEN ROOFLIGHT
 C1 OAKENDENE INDUSTRIAL ESTATE
 BOLNEY ROAD
 COWFOLD
 RH13 8AZ

TEL: 0845 050 8746
 FAX: 0845 345 0215
 Email info "lumenrooflight.co.uk
 www.lumenrooflight.co.uk

Title.

PANTILE JAMB DETAIL WARM ROOF CONSTRUCTION

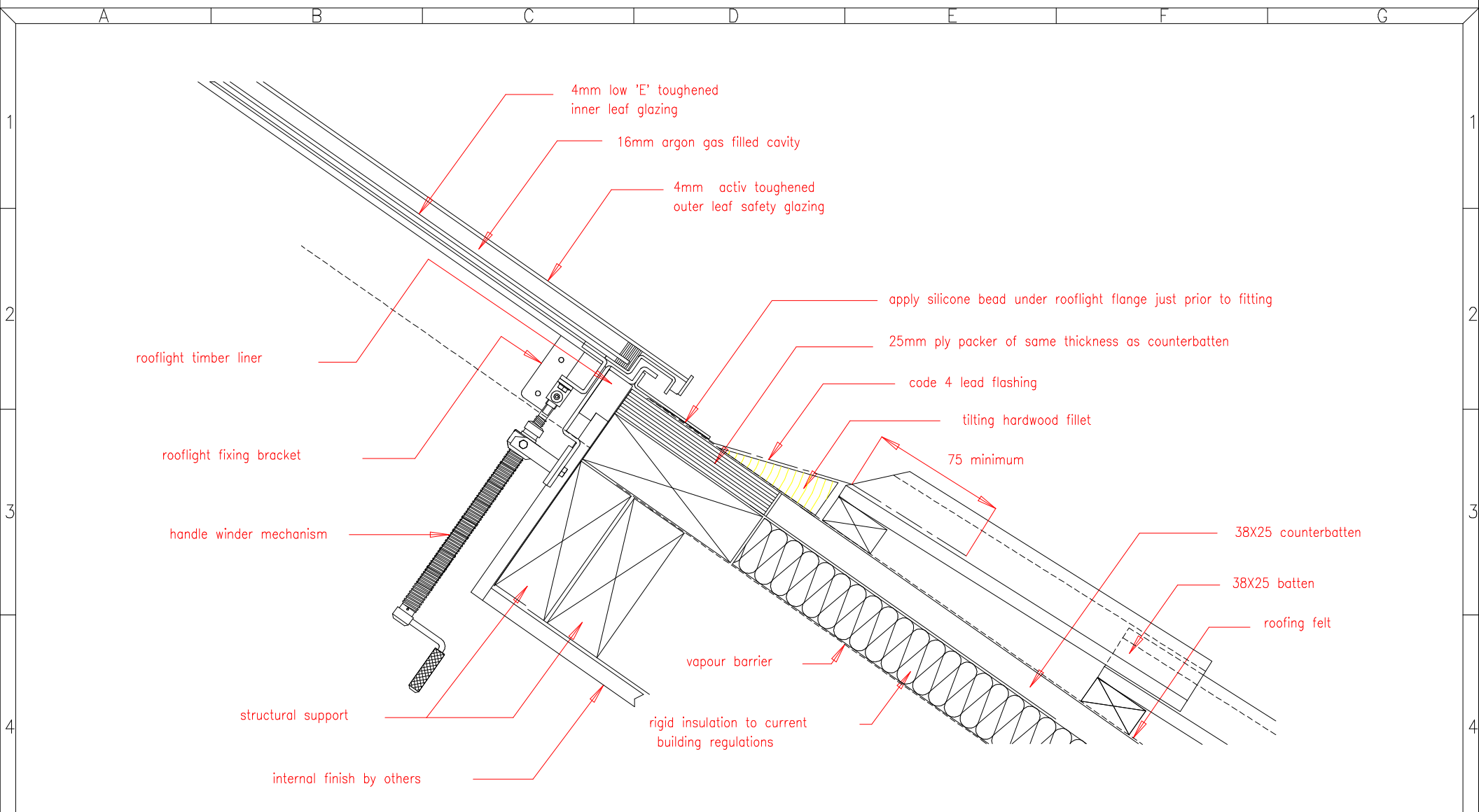
DESIGNERS ARE ADVISED TO CHECK THEIR OWN DETAILS FOR COMPLIANCE WITH ALL APPLICABLE LOCAL AUTHORITY BYLAWS, ACTS OF PARLIAMENT AND BRITISH STANDARD CODES OF PRACTICE.

Date: 10/07/07 Scale. NTS

Drawn By: CMT Design

Revision No. A

The information in this drawing is copyright of Tuscan Foundry Products



THE LUMEN ROOFLIGHT
 C1 OAKENDENE INDUSTRIAL ESTATE
 BOLNEY ROAD
 COWFOLD
 RH13 8AZ
 TEL: 0845 050 8746
 FAX:0845 345 0215
 Email info [lumenrooflight.co.uk](mailto:info@lumenrooflight.co.uk)
www.lumenrooflight.co.uk

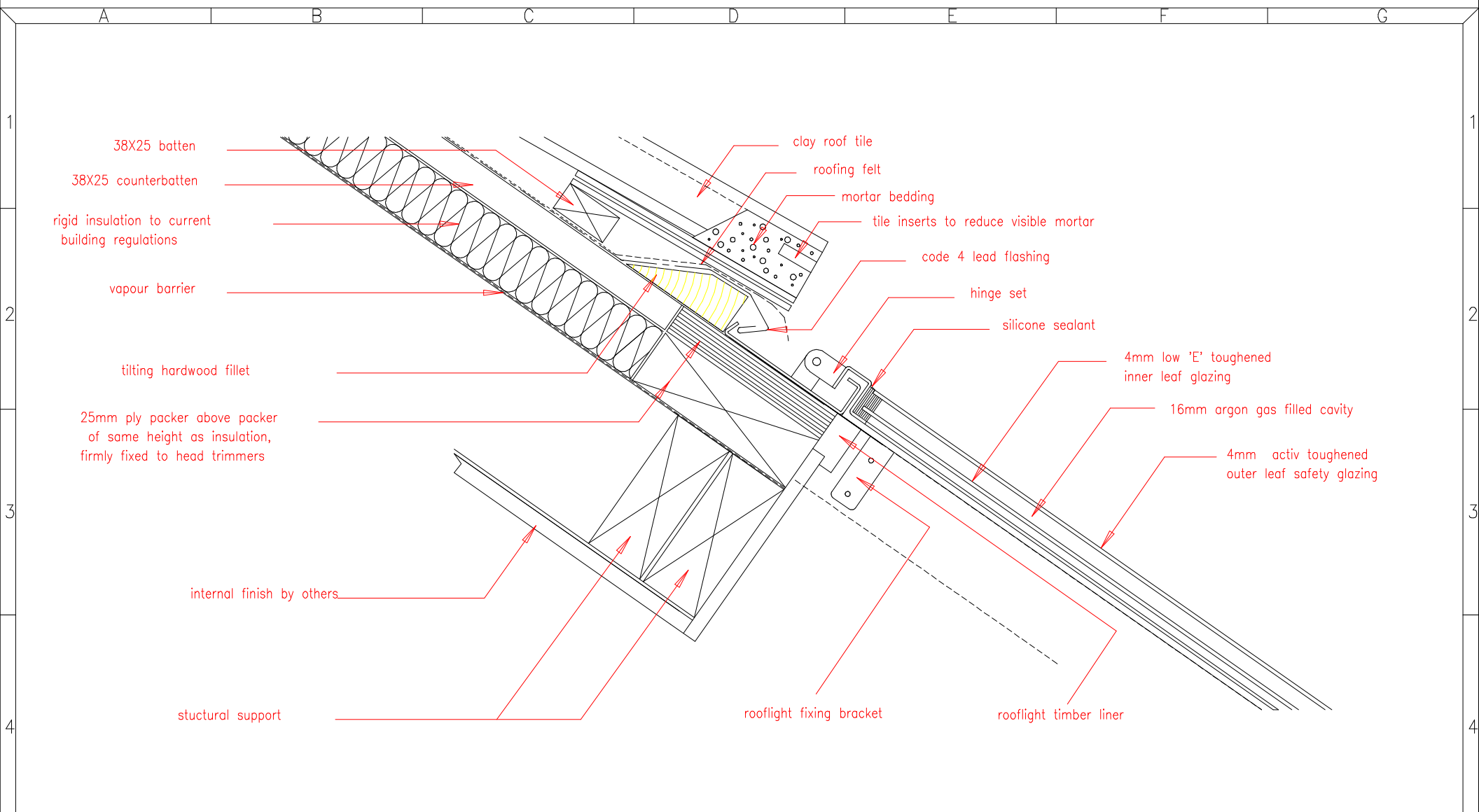
The information in this drawing is copyright of Tuscan Foundry Products

Title.

PANTILE CILL DETAIL WARM ROOF CONSTRUCTION

DESIGNERS ARE ADVISED TO CHECK THEIR OWN DETAILS
 FOR COMPLIANCE WITH ALL APPLICABLE LOCAL AUTHORITY
 BYLAWS, ACTS OF PARLIAMENT AND BRITISH STANDARD
 CODES OF PRACTICE.

Date: 09/07/07	Scale. NTS
Drawn By: CMT Design	
Revision No. A	



THE LUMEN ROOFLIGHT
 C1 OAKENDENE INDUSTRIAL ESTATE
 BOLNEY ROAD
 COWFOLD
 RH13 8AZ

TEL: 0845 050 8746
 FAX:0845 345 0215
 Email info [lumenrooflight.co.uk](mailto:info@lumenrooflight.co.uk)
www.lumenrooflight.co.uk

Title.

PANTILE HEAD DETAIL WARM ROOF CONSTRUCTION

DESIGNERS ARE ADVISED TO CHECK THEIR OWN DETAILS FOR COMPLIANCE WITH ALL APPLICABLE LOCAL AUTHORITY BYLAWS, ACTS OF PARLIAMENT AND BRITISH STANDARD CODES OF PRACTICE.

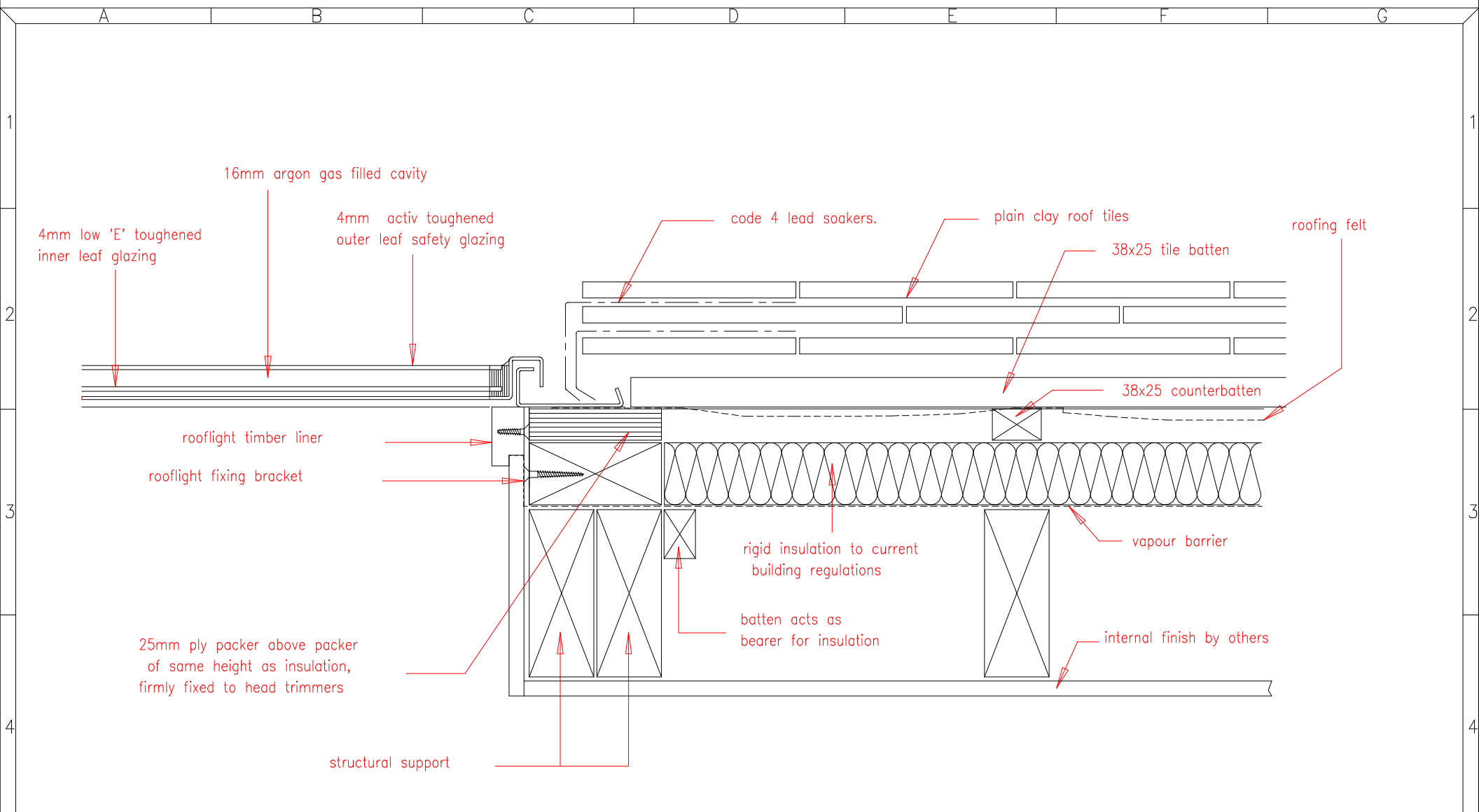
Date: 09/07/07

Scale. NTS

Drawn By: CMT Design

Revision No. A

The information in this drawing is copyright of Tuscan Foundry Products



THE LUMEN ROOFLIGHT
 C1 OAKENDENE INDUSTRIAL ESTATE
 BOLNEY ROAD
 COWFOLD
 RH13 8AZ

TEL: 0845 050 8746
 FAX:0845 345 0215
 Email info " lumenrooflight.co.uk
 www.lumenrooflight.co.uk

Title.

CLAY TILE JAMB DETAIL WARM ROOF CONSTRUCTION

DESIGNERS ARE ADVISED TO CHECK THEIR OWN DETAILS FOR COMPLIANCE WITH ALL APPLICABLE LOCAL AUTHORITY BYLAWS, ACTS OF PARLIAMENT AND BRITISH STANDARD CODES OF PRACTICE.

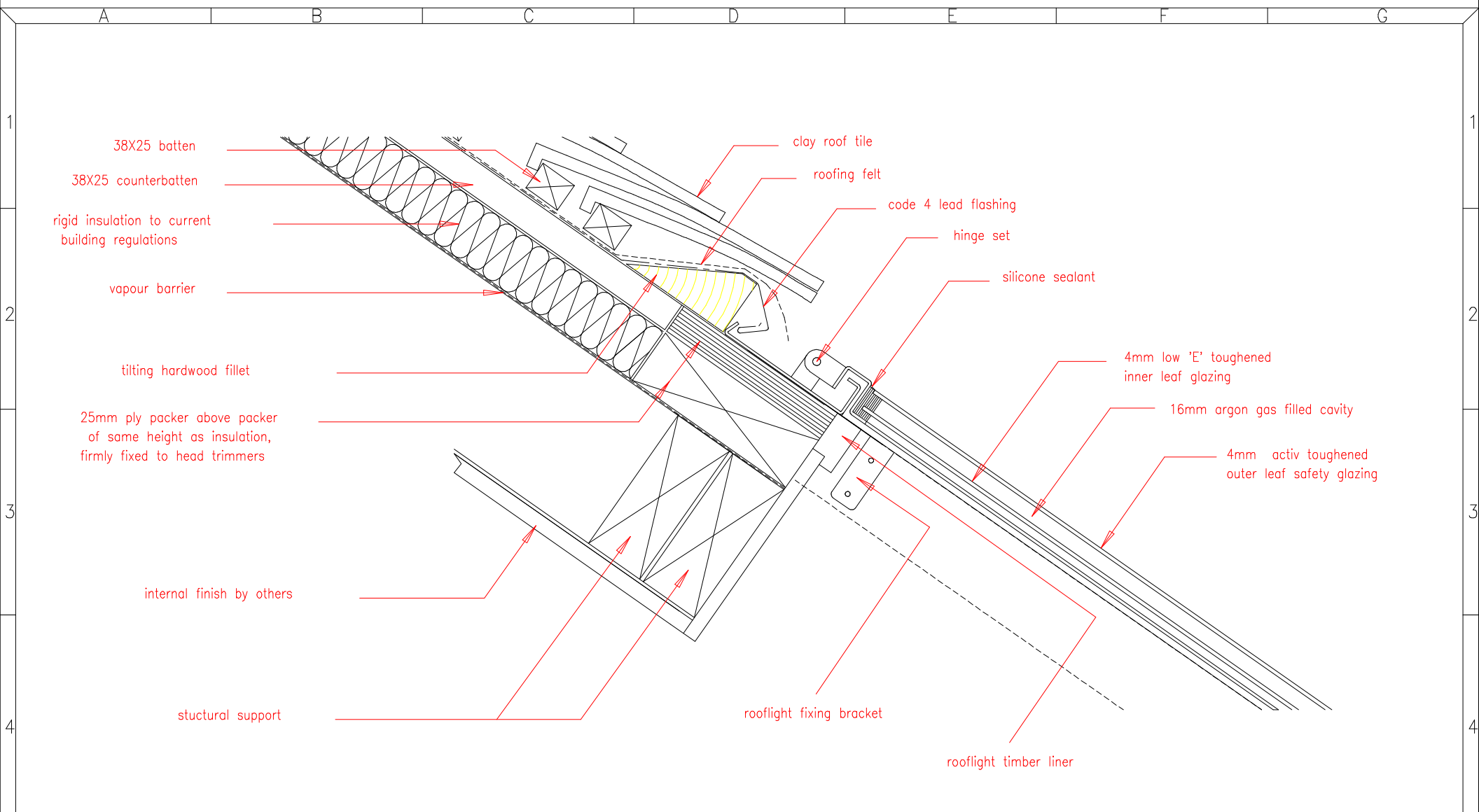
Date: 07/07/07

Scale. NTS

Drawn By: CMT Design

Revision No. A

The information in this drawing is copyright of Tuscan Foundry Products



THE LUMEN ROOFLIGHT
 C1 OAKENDENE INDUSTRIAL ESTATE
 BOLNEY ROAD
 COWFOLD
 RH13 8AZ

TEL: 0845 050 8746
 FAX:0845 345 0215
 Email info @ lumenrooflight.co.uk
 www.lumenrooflight.co.uk

Title.

CLAY TILE HEAD DETAIL WARM ROOF CONSTRUCTION

DESIGNERS ARE ADVISED TO CHECK THEIR OWN DETAILS FOR COMPLIANCE WITH ALL APPLICABLE LOCAL AUTHORITY BYLAWS, ACTS OF PARLIAMENT AND BRITISH STANDARD CODES OF PRACTICE.

Date: 4/07/07 Scale. NTS
 Drawn By: CMT Design
 Revision No. A

The information in this drawing is copyright of Tuscan Foundry Products