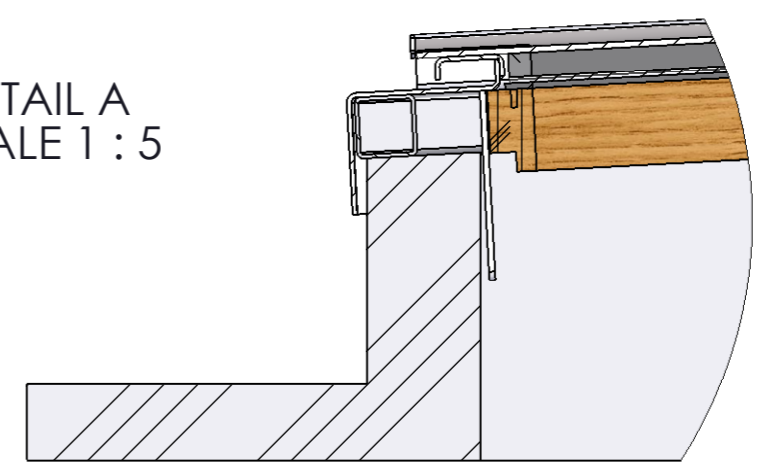
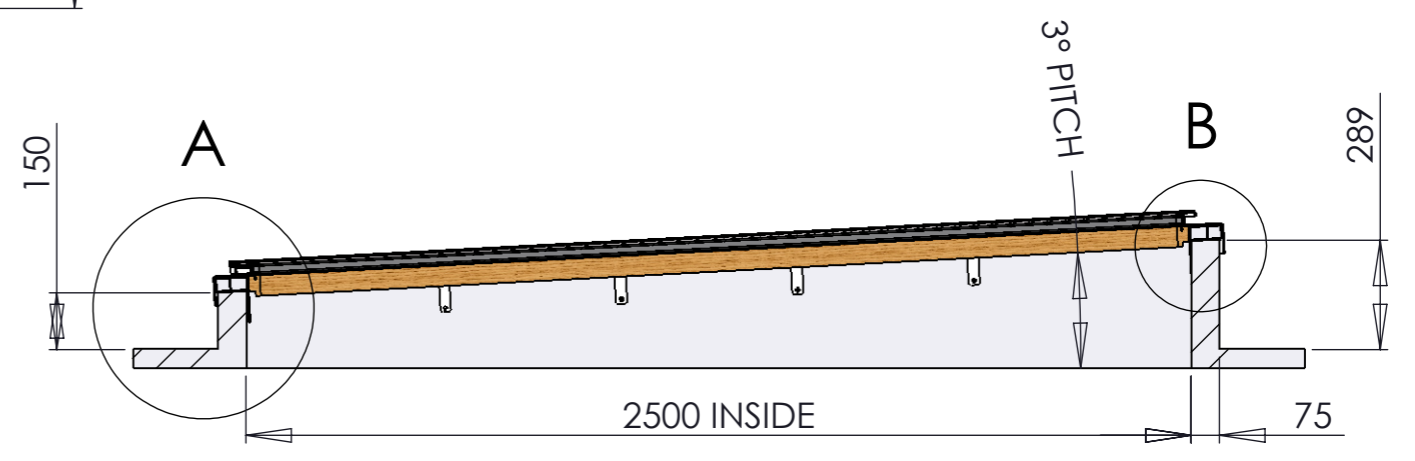
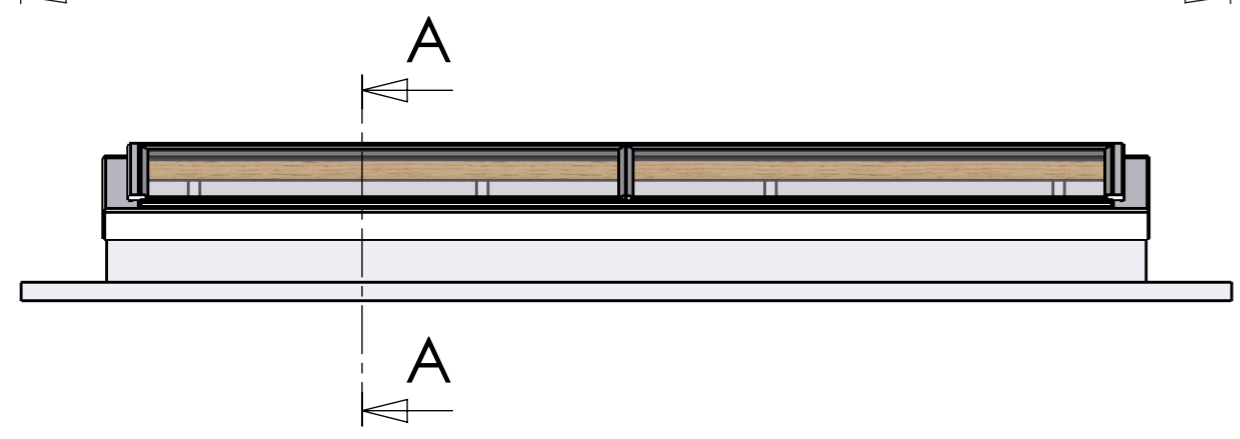
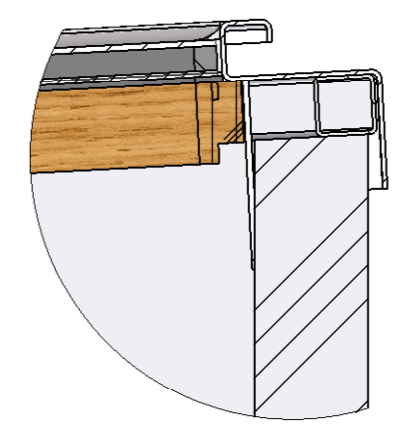


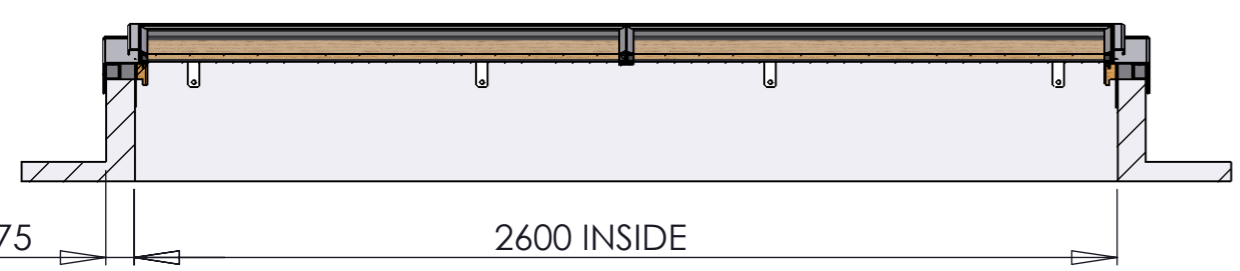
DETAIL A
SCALE 1 : 5



DETAIL B
SCALE 1 : 5



SECTION A-A



	NAME	DATE	MATERIAL: _	Sheet Scale: 1:20
DRAWN	SHAUN COUCH	20/10/2009		SHEET 1 OF 1
APPROVED			TITLE:	
LUMEN ROOFLIGHT			BESPOKE LUMEN FIXED FLATROOF SKYLIGHT INTERNAL KERB SIZE 2600W X 2500H 1 OFF GLAZING BAR, 2 OFF DOUBLE GLAZED UNITS - INSTALL	
			TEL. (08453) 308859 FAX. (08453) 307260	SIZE: DRWG No. A3 Site Install
UNLESS OTHERWISE SPECIFIED DIMENSIONS ARE IN MILLIMETERS ANGLE ±0.5° / 0.0 ±0.25mm / 0.00±0.1mm / 0.000 ±0.05mm				